

SHEFFIELD SERIES

STAINLESS STEEL SINKS

ACCESSORIES

DRAINER BOARD



CUTTING BOARD



STAINLESS STEEL BASKET



212 WHITEHORSE RD BLACKBURN VIC 3130
TEL: (03) 9894 2427 FAX: (03) 9894 4931
EMAIL: blackburn@firstchoicewarehouse.com.au
www.firstchoicewarehouse.com.au

27 - 29 KIRKDALE ST BRUNSWICK VIC 3057
TEL: (03) 9380 8231 FAX: (03) 9380 8261
EMAIL: brunswick@firstchoicewarehouse.com.au
PO. BOX 355 KERRIMUIR VIC 3129

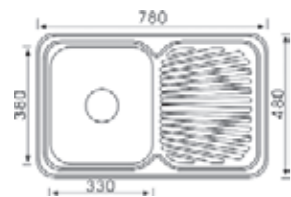
158 - 160 COCHRANES ROAD MOORABBIN VIC 3189
TEL: (03) 9555 5144 FAX: (03) 9555 1055
EMAIL: moorabbin@firstchoicewarehouse.com.au

INFINITE KITCHEN SOLUTIONS

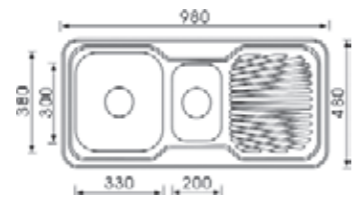
SHEFFIELD SERIES

STAINLESS STEEL SINKS

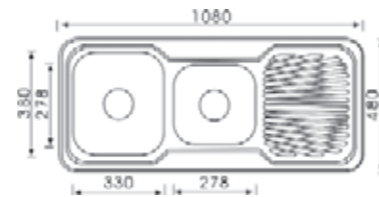
IS 780
(780mm X 480mm X 170mm)



IS 980
(980mm X 480mm X 170mm)

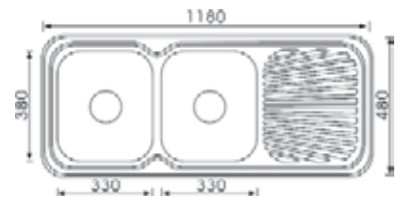


IS 1080
(1080mm X 480mm X 170mm)

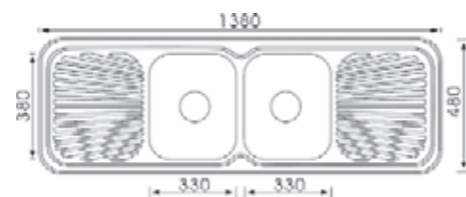


* AVAILABLE IN LEFT HAND BOWL, RIGHT HAND BOWL AND NO TAP HOLE

IS 1180
(1180mm X 480mm X 170mm)

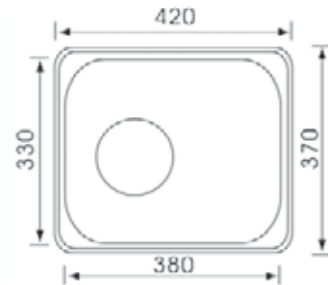


IS 1380
(1380mm X 480mm X 170mm)

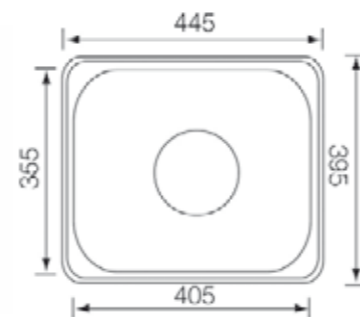


TOP MOUNT SINGLE BOWL SINK

IST 420
(420mm X 370mm X 170mm)



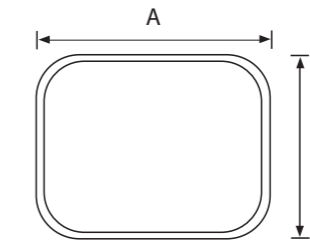
IST 450
(445mm X 395mm X 180mm)



10 Year Warranty
Polished Finish 0.8mm - 304 Grade Stainless Steel

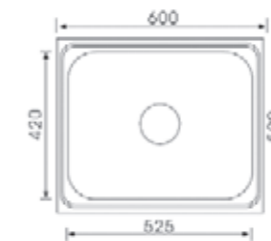
SHEFFIELD SERIES

KITCHEN UNDERMOUNT STAINLESS STEEL SINKS

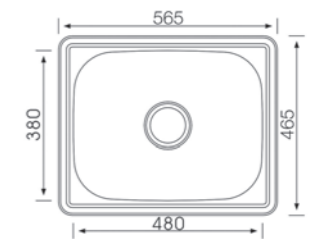


| Model | A (mm) | B (mm) | Depth | Waste |
|---------|--------|--------|-------|---------|
| ISU 420 | 420 | 355 | 160 | OFF SET |
| ISU 445 | 445 | 395 | 170 | CENTRE |
| ISU 490 | 490 | 440 | 190 | CENTRE |
| ISU 520 | 525 | 420 | 180 | OFF SET |
| ISU 565 | 570 | 470 | 240 | CENTRE |

ISL 600
(600mm X 500mm X 240mm)
Capacity: 45 Litre



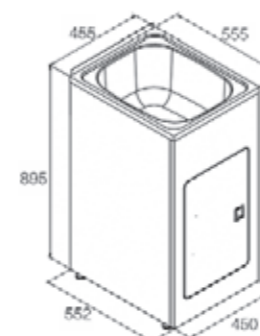
ISL 555
(565mm X 465mm X 210mm)
Capacity: 35 Litre



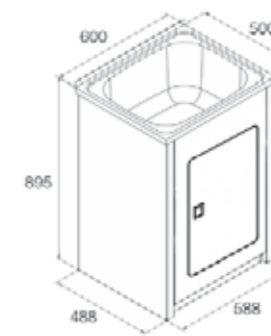
LAUNDRY FLUSHLINE TUBS

* AVAILABLE IN LEFT OR RIGHT TAP HOLE, TWO TAP HOLE OR NO TAP HOLE

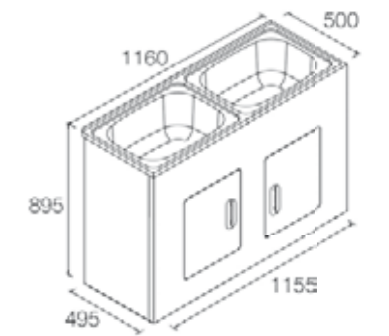
ISLC-35L
(455mm X 555mm X 895mm)
Capacity: 35 Litre



ISLC-45L
(600mm X 500mm X 895mm)
Capacity: 45 Litre



ISD-1160
(1160mm X 500mm X 895mm)
Capacity: 90 Litre



LAUNDRY TUB & CABINET

Please note: We recommend installation by qualified and experienced stonemasons or cabinet makers. Always use the physical product measurement for cut outs made. Template supplied is a Guide and may differ from product measurement over time.