

Versatile

versatile

**polilife**  
bathroom solutions

## Versatile series

Available exclusively from:  
**FIRST CHOICE WAREHOUSE**

**BLACKBURN**  
212 Whitehorse Rd  
Blackburn VIC 3130  
Tel: (03) 9894 2427  
Fax: (03) 9894 4931  
Email: blackburn@firstchoicewarehouse.com.au

**BRUNSWICK**  
27 - 29 Kirkdale Street  
Brunswick East VIC 3057  
Tel: (03) 9380 8231  
Fax: (03) 9380 8261  
Email: brunswick@firstchoicewarehouse.com.au

**MOORABBIN**  
158 - 160 Cochrans Road  
Moorabbin VIC 3189  
Tel: (03) 9555 5144  
Fax: (03) 9555 1055  
Email: moorabbin@firstchoicewarehouse.com.au

[www.firstchoicewarehouse.com.au](http://www.firstchoicewarehouse.com.au)

**NOTE:**

All dimensions are in millimetres  
and are subject to standard manufacturing variations.

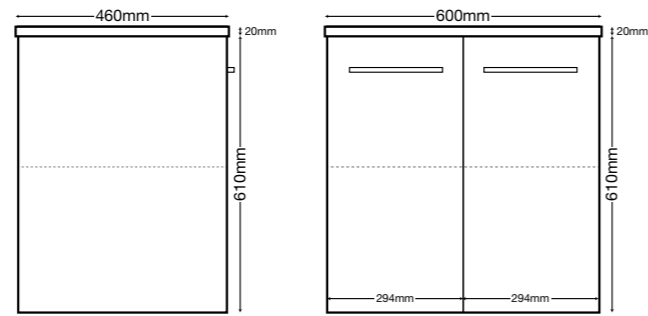
Polilife Bathroom Solutions reserves the right to change  
any or all specifications without prior notice.



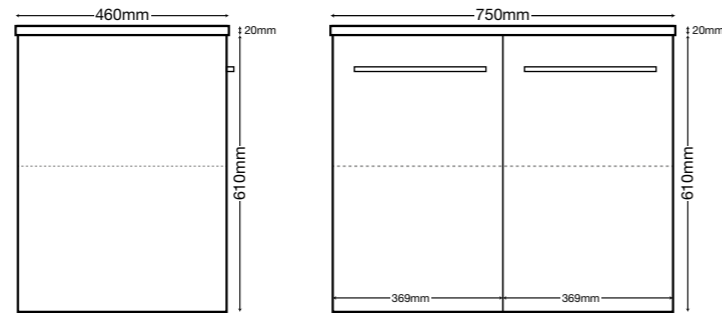
**polilife**  
bathroom solutions



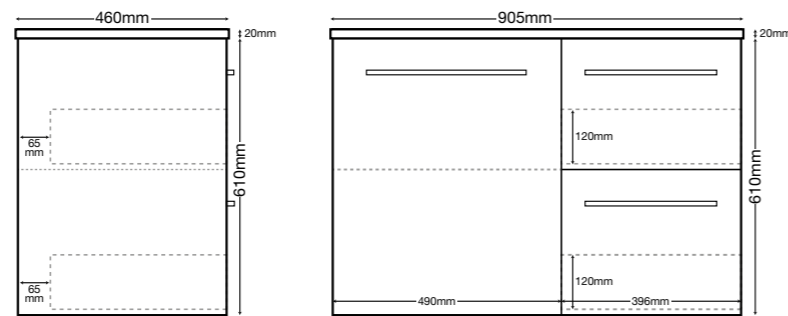
PV 600-3



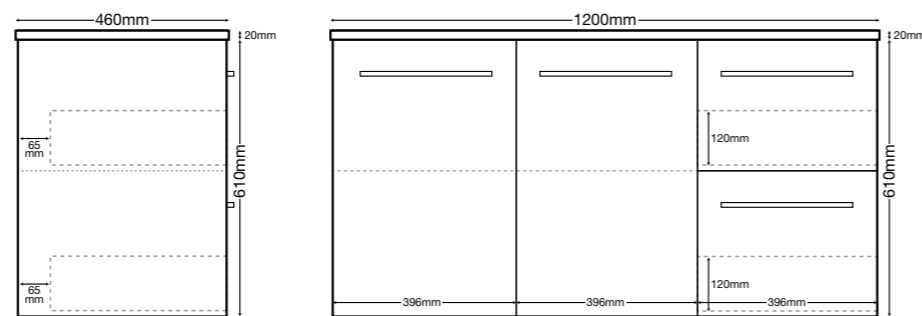
PV 750-3



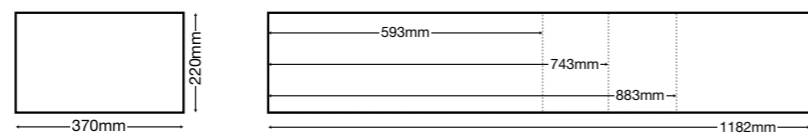
PV 900-3



PV 1200-3

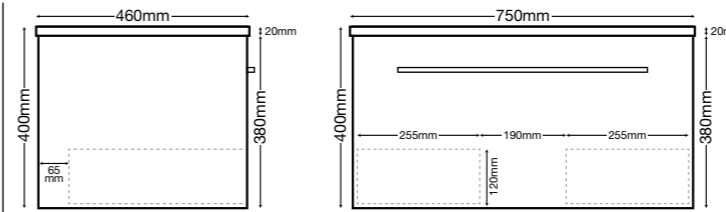


KICKER

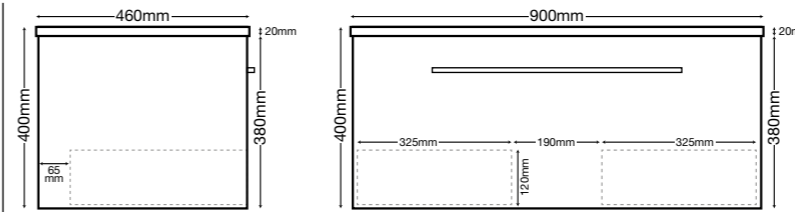


\*Optional Polilife kicker available for PV 600-3, 750-3, 900-3 and 1200-3

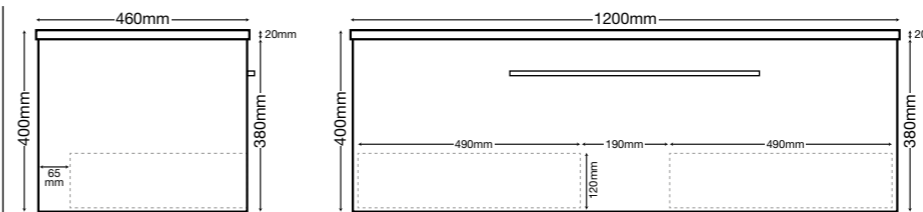
PV 750-D



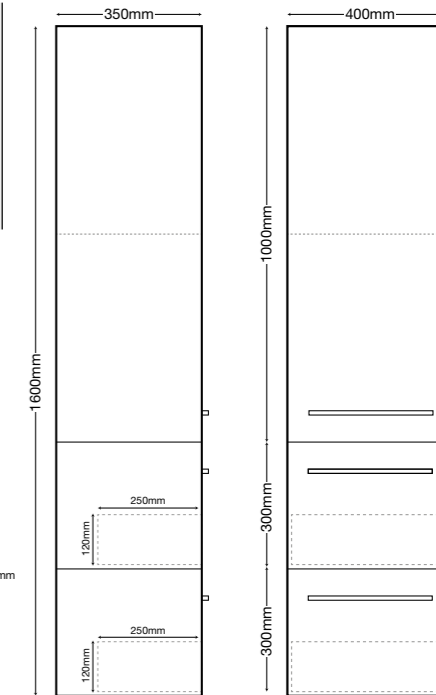
PV 900-D



PV 1200-D

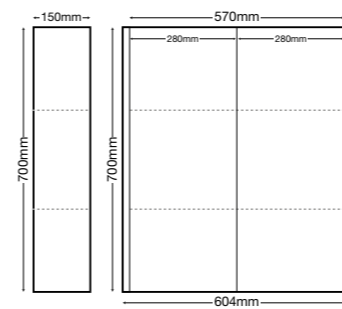


PV 1610-SD

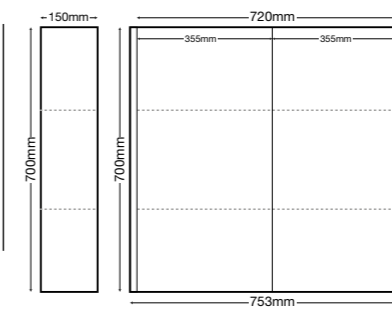


**REFLECTIONS** Mirror Boxes

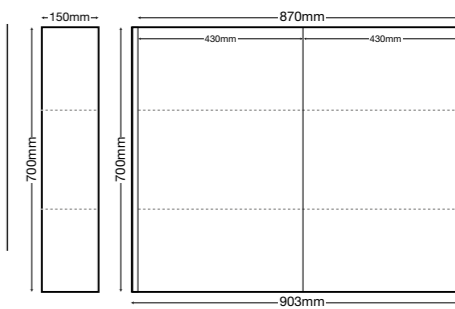
PR 600



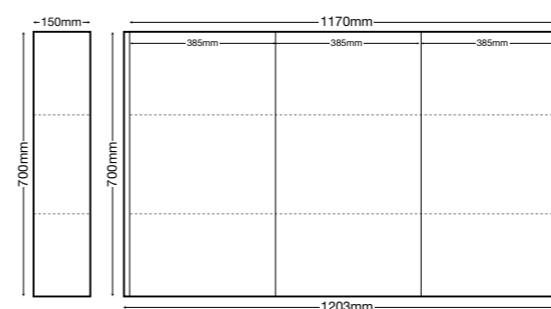
PR 750



PR 900



PR 1200



versatile

**Versatile**  
series

**polilife**  
bathroom solutions

**FEATURES**

- MFC water resistant laminate
- Blum soft closing Hinges / Runners
- High quality ceramic tops available in 1 hole and 3 hole
- Adjustable shelves



Brown Wood



Grey Oak



White (enamel)

