

infinite | tapware

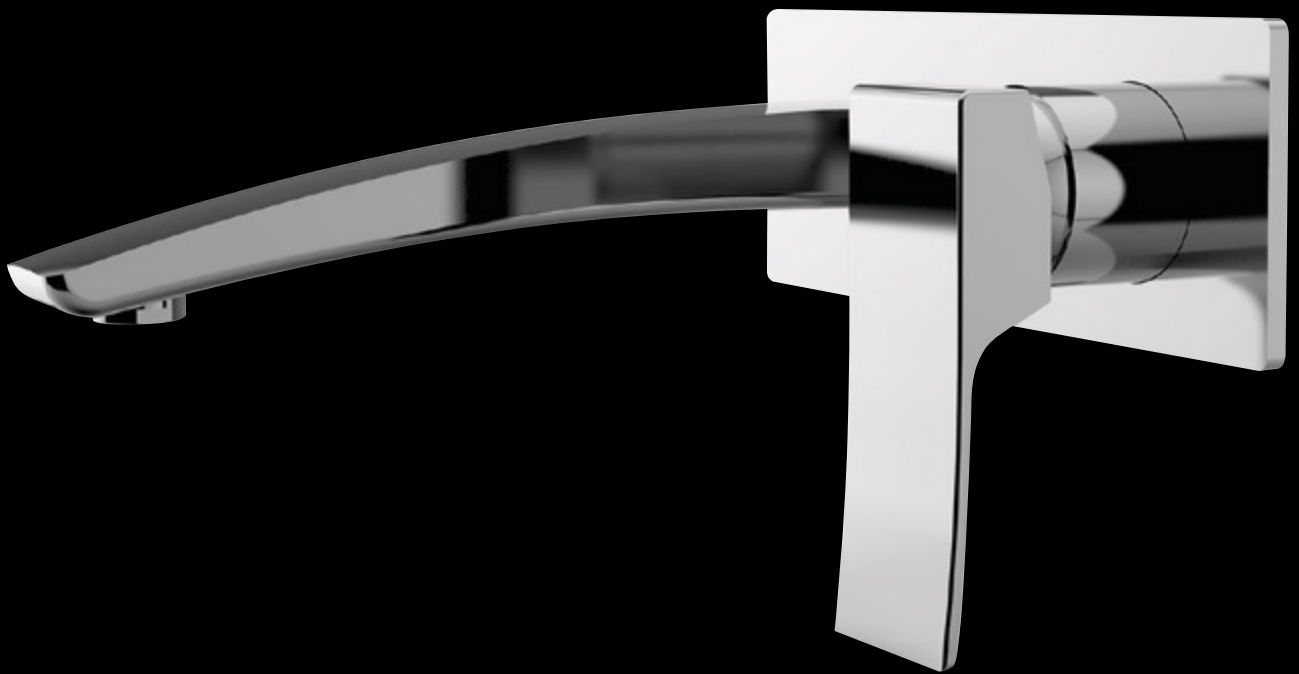


andrew

innovation and technology



andrew | basin mixer



andrew | wall basin/bath mixer



andrew | wall bath/shower mixer



andrew | tall basin mixer



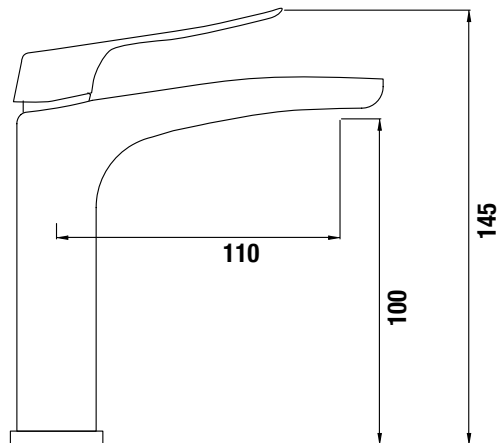
andrew | shower mixer/diverter



andrew | product dimensions

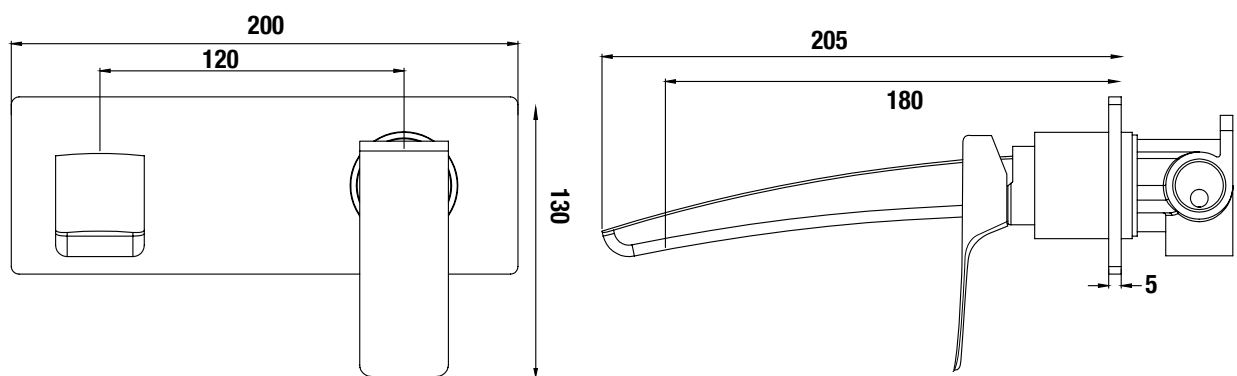
andrew | basin mixer

WELS 5 Star 6.0L/min

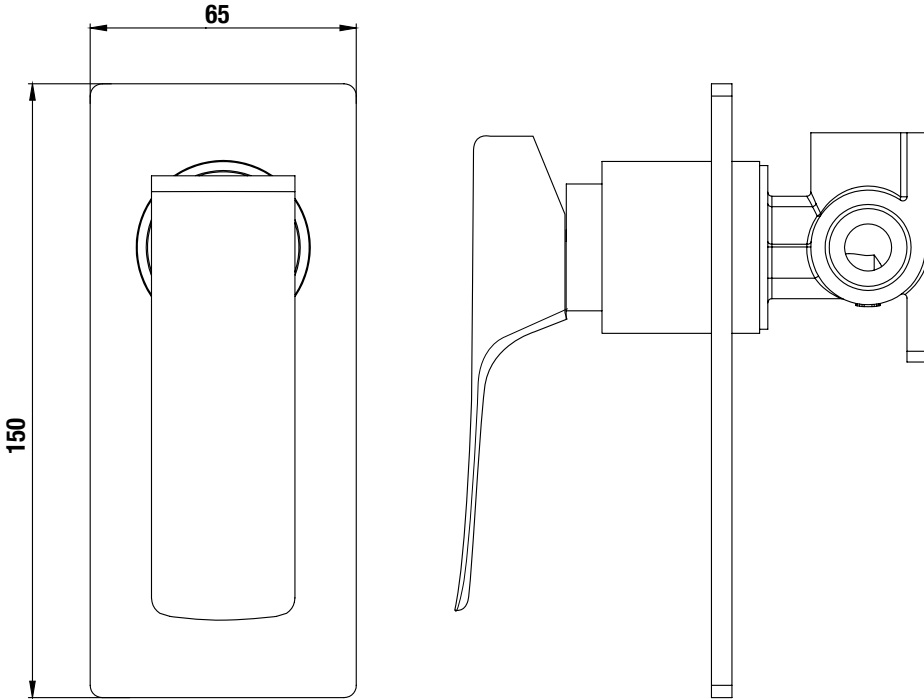


andrew | wall basin/bath mixer

WELS 5 Star 6.0L/min

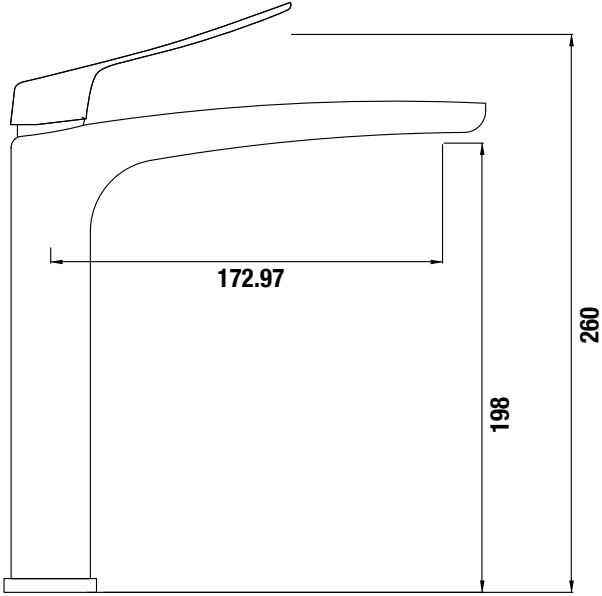


andrew | wall bath/shower mixer

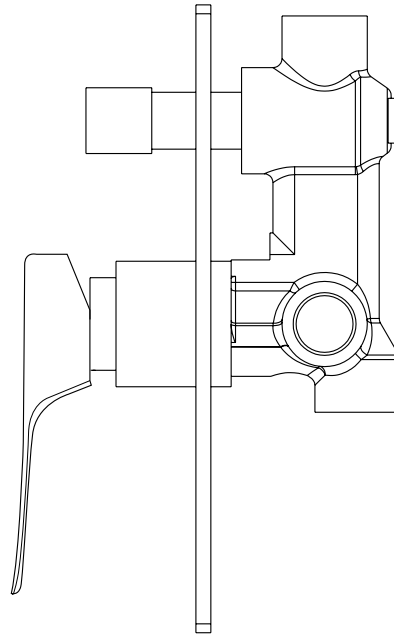
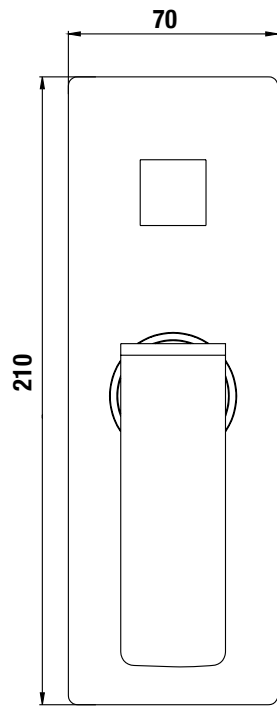


andrew | tall basin mixer

WELS 5 Star 6.0L/min



andrew | shower mixer/diverter



Note: This brochure is to be used as a guide only. Images are a representation of colour or finish, and may vary from the actual product. All dimensions are in millimetres and are a nominal measurement only. Infinite Supplies Australia Pty Ltd reserves the right to change any or all specifications without prior notice. Dimensions and setouts listed are correct at time of publication, however Infinite Supplies Australia Pty Ltd takes no responsibility for printing errors. For full warranty go to www.firstchoicewarehouse.com.au

Exclusively available through First Choice Warehouse.

