

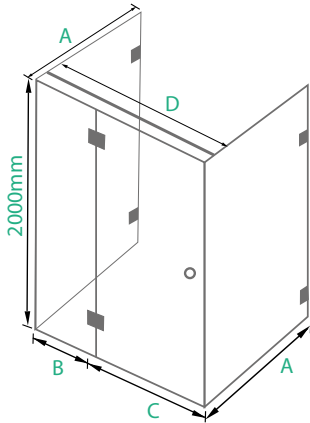
infinite | bathroom solutions



sizes & configuration

Choose your wall panel configuration & select sizes required

one wall



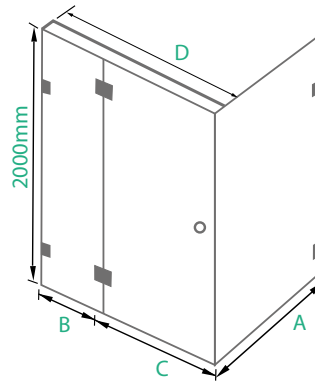
4 Panel

Measuring Guide

- A| Glass Return Panel 700 - 1000mm*
1000 - 1400mm^
- B| Glass Hinge Panel 200 - 580mm*
- C| Glass Door Panels 610 x 1985mm (H)
595 x 1985mm (H)
- D| Glass Header Panel 805 - 1780mm+

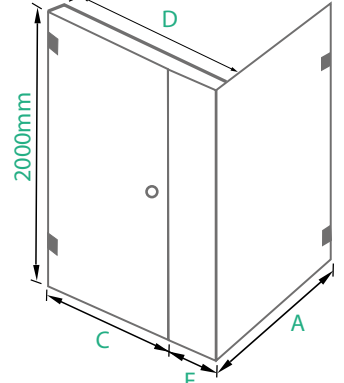
two wall

Option 1



3 Panel

Option 2



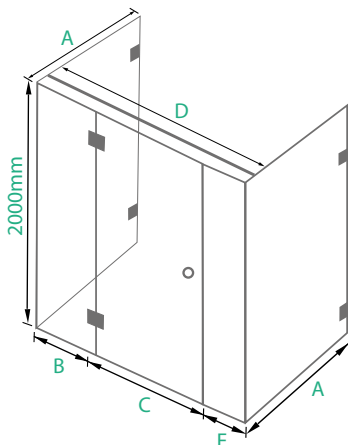
Measuring Guide

- A| Glass Return Panel 700 - 1000mm*
1000 - 1400mm^
- B| Glass Hinge Panel 200 - 580mm*
- C| Glass Door Panels 610 x 1985mm (H)
595 x 1985mm (H)
- D| Glass Header Panel 805 - 1780mm+
- E| Glass Infill Panel 120 - 630mm*

Tolerances

Door Gap	3mm
Wall to Hinge Panel	4mm
Wall to Infill Panel	4mm

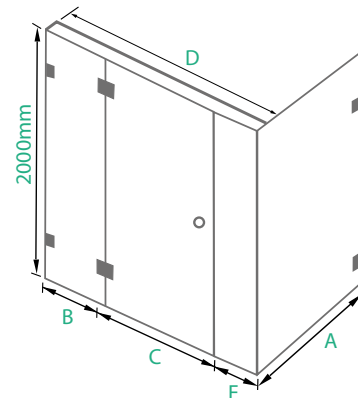
* 10mm increments
+ 5mm increments
^ 100mm increments



5 Panel

Measuring Guide

- A| Glass Return Panel 700 - 1000mm*
1000 - 1400mm^
- B| Glass Hinge Panel 200 - 580mm*
- C| Glass Door Panels 610 x 1985mm (H)
595 x 1985mm (H)
- D| Glass Header Panel 805 - 1780mm+
- E| Glass Infill Panel 120 - 630mm*

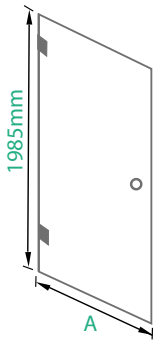
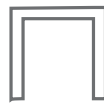


4 Panel

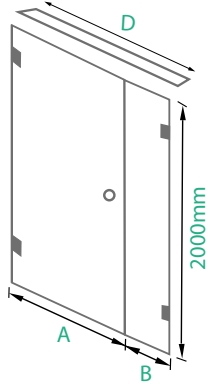
Measuring Guide

- A| Glass Return Panel 700 - 1000mm*
1000 - 1400mm^
- B| Glass Hinge Panel 200 - 580mm*
- C| Glass Door Panels 610 x 1985mm (H)
595 x 1985mm (H)
- D| Glass Header Panel 805 - 1780mm+
- E| Glass Infill Panel 120 - 630mm*

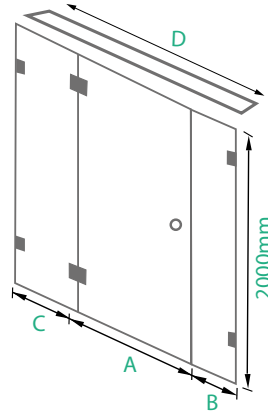
three wall



1 Panel



2 Panel



3 Panel

Measuring Guide

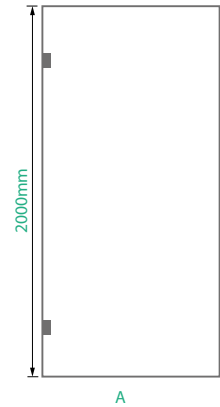
- A| Glass Door Panels 610 x 1985mm (H)
595 x 1985mm (H)
- B| Glass Infill Panel 120 - 630mm*
- C| Glass Hinge Panel 200 - 580mm*
- D| Glass Header Panel 805 - 1780mm+

Tolerances

- Door Gap 3mm
- Wall to Hinge Panel 4mm
- Wall to Infill Panel 4mm
- Wall to Door Panel 10mm

* 10mm increments
+ 5mm increments

fixed panel



1 Panel

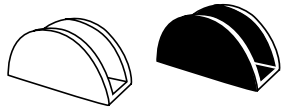
Measuring Guide

- A| 700 - 1000mm*
1000 - 1400mm^

* 10mm increments
^ 100mm increments

hardware

Select your hardware fittings



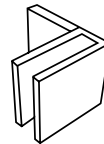
Available in Black

Glass to Wall Round Bracket

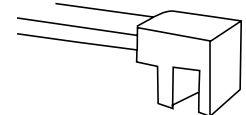


Available in Black

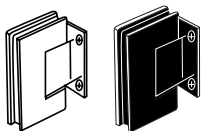
Glass to Wall Square Bracket



Glass to Wall Bracket



Cuba Stabilising Bar



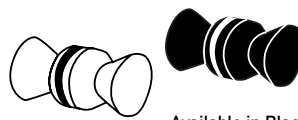
Available in Black

180° Wall to Glass Hinge
To be used with:
2 Wall Option 2
3 Wall Panel 1 & 2



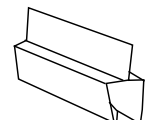
Available in Black

180° Glass to Glass Hinge



Available in Black

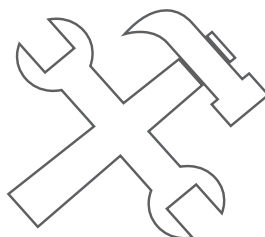
Door Handle Round



Door Seal (bottom)

installation

Ask us about installation service for our In-Design shower screens



Our **In-Design** frameless shower screens is an elegant alternative to enhance any contemporary bathroom. With its 10mm Australian standard Toughened safety glass that is elegantly finished with high polished edges along with high quality solid chrome plated brass hardware for optimum performance.

Note: This brochure is to be used as a guide only. Images are a representation of colour or finish, and may vary from the actual product. All dimensions are in millimetres and are a nominal measurement only. Infinite Supplies Australia Pty Ltd reserves the right to change any or all specifications without prior notice. Dimensions and setouts listed are correct at time of publication, however Infinite Supplies Australia Pty Ltd takes no responsibility for printing errors. For full warranty go to www.firstchoicewarehouse.com.au

Exclusively available through First Choice Warehouse.

