

infinite | bathroom solutions



inset bathtub catalogue

Infinite inset bathtubs are designed to suit any contemporary bathroom.

Infinite inset bathtubs are crafted using the highest quality sanitary grade acrylic available. A unique feature of our inset bathtubs is its galvanised support frame which eliminates the use of sand and mortar for bed support.

Infinite inset bathtubs provide strength and support in a sensible and stylish solution.

This brochure is to be used as a guide only.

All dimensions are in millimetres and are subject to standard manufacturing variations.

Infinite Bathroom Solutions reserves the right to change any or all specifications without prior notice.

For full warranty details please visit:
www.firstchoicewarehouse.com.au



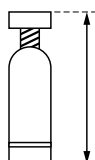
arc | 1800

colour: white only

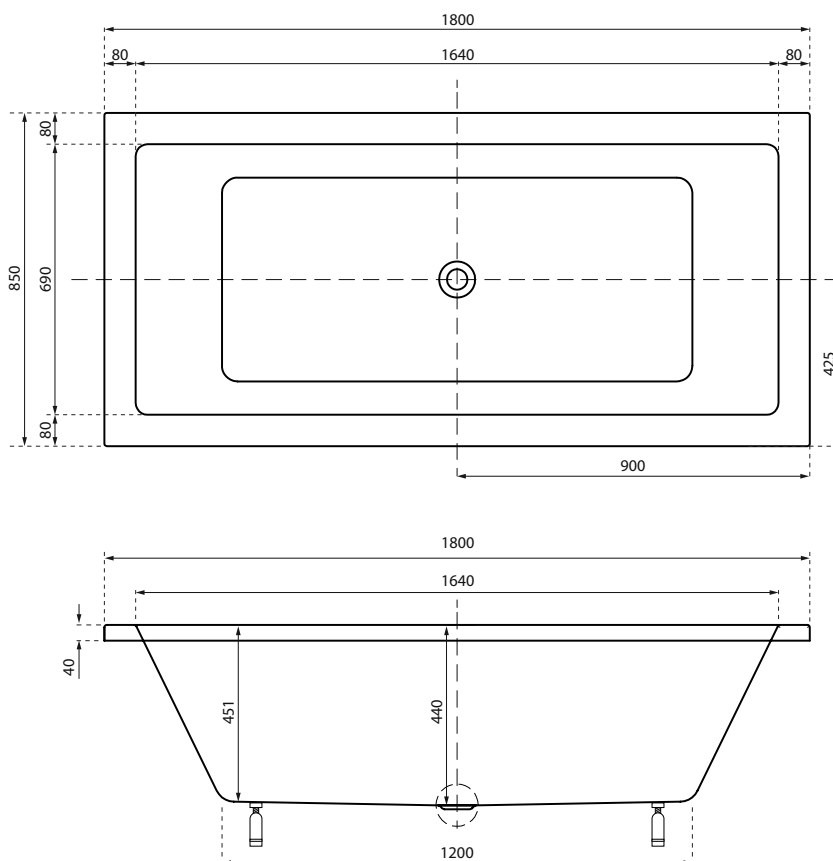
- features:
- 5mm sanitary grade acrylic
 - high gloss finish
 - good heat retention
 - self-supporting frame and legs

length	1800
width	850
height	460
width centre	425
length centre	900

*suitable for 40mm waste. No overflow



Non-adjustable height legs
110mm fixed height





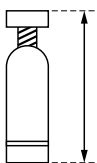
arc | 1200

colour: white

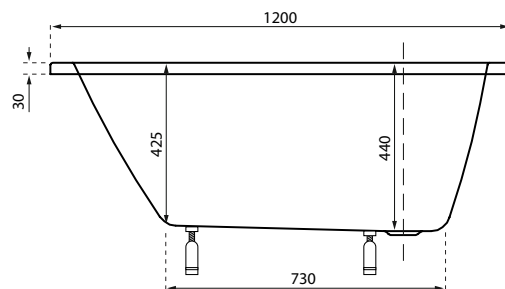
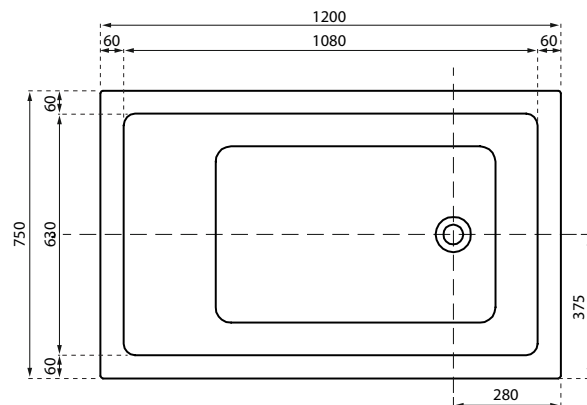
- features:
- 5mm sanitary grade acrylic
 - high gloss finish
 - good heat retention
 - self-supporting frame and adjustable legs

length	1200
width	750
height	460
width centre	375
length centre	280

*suitable for 40mm waste. No overflow



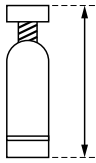
Adjustable height legs
100mm min height
110mm max height



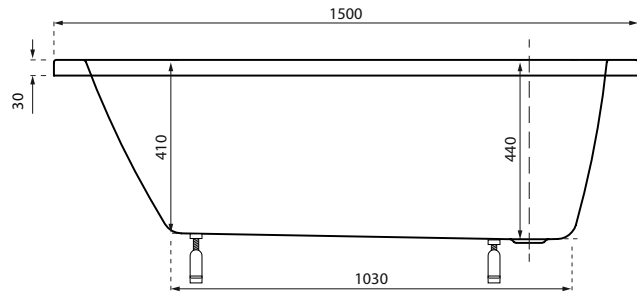
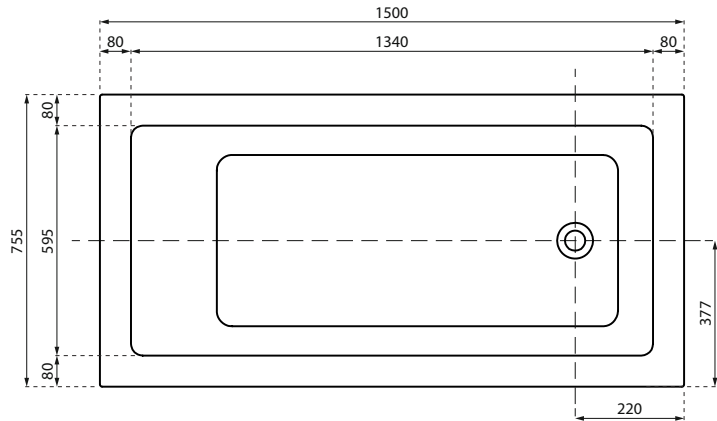
arc | 1500

length	1500
width	755
height	450
width centre	377
length centre	220

*suitable for 40mm waste. No overflow



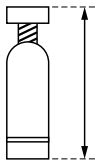
Adjustable height legs
100mm min height
110mm max height



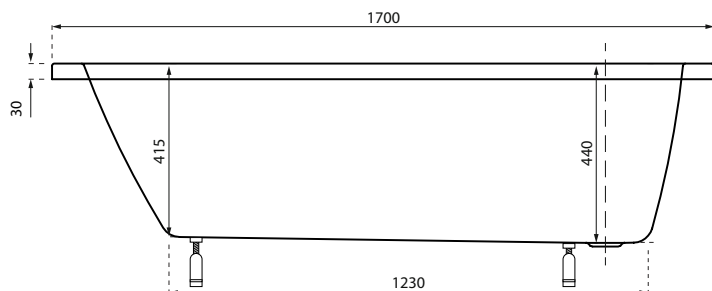
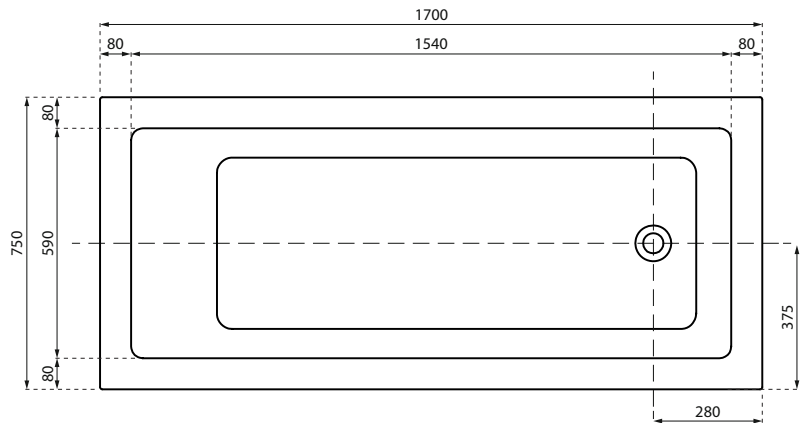
arc | 1700

length	1700
width	750
height	440
width centre	375
length centre	280

*suitable for 40mm waste. No overflow



Adjustable height legs
100mm min height
110mm max height





left hand waste configuration



right hand waste configuration

arc | 1500 lipped series

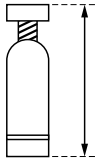
colour: white only

- features:
- 5mm sanitary grade acrylic
 - 3 lipped tile flange
 - high gloss finish
 - good heat retention
 - self-supporting frame and adjustable legs
 - available in left and right hand waste configurations

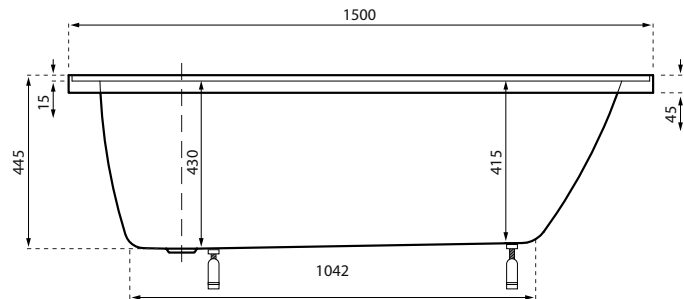
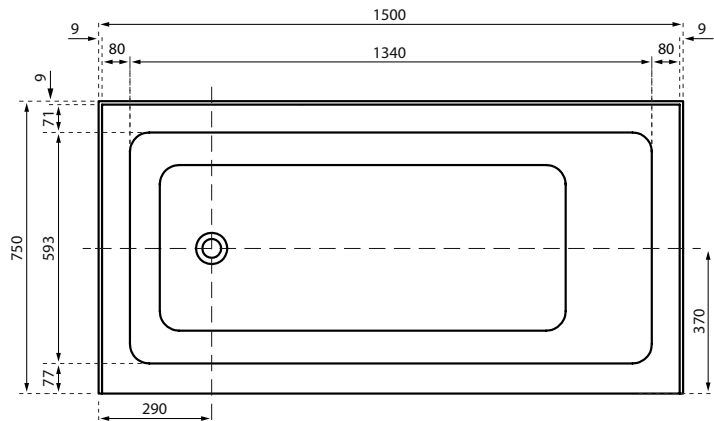
arc | 1500 (left hand waste configuration)

length	1500
width	750
height	445
width centre (non lipped side)	370
length centre	290

*suitable for 40mm waste. No overflow



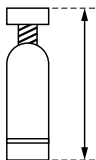
Adjustable height legs
100mm min height
110mm max height



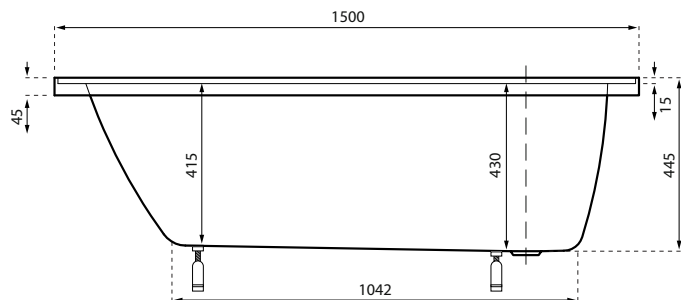
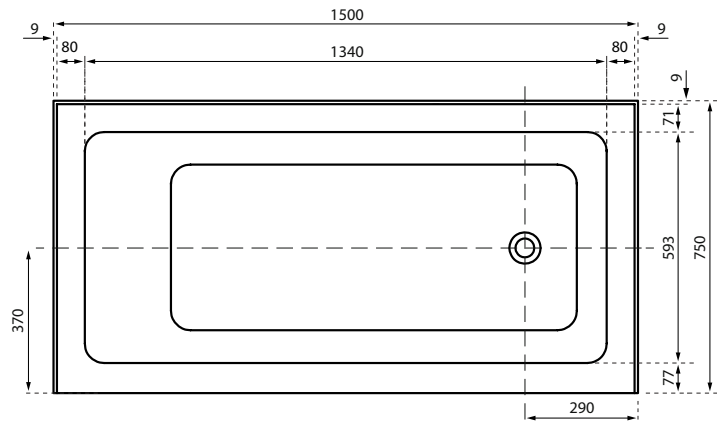
arc | 1500 (right hand waste configuration)

length	1500
width	750
height	445
width centre (non lipped side)	370
length centre	290

*suitable for 40mm waste. No overflow



Adjustable height legs
100mm min height
110mm max height





left hand waste
configuration



right hand waste
configuration

arc | 1700 lipped series

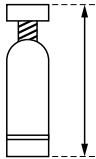
colour: white only

- features:
- 5mm sanitary grade acrylic
 - 3 lipped tile flange
 - high gloss finish
 - good heat retention
 - self-supporting frame and adjustable legs
 - available in left and right hand waste configurations

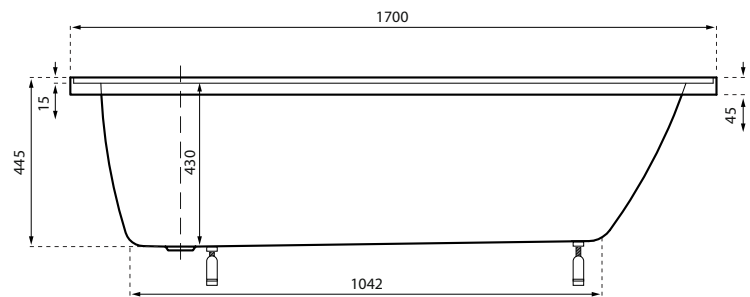
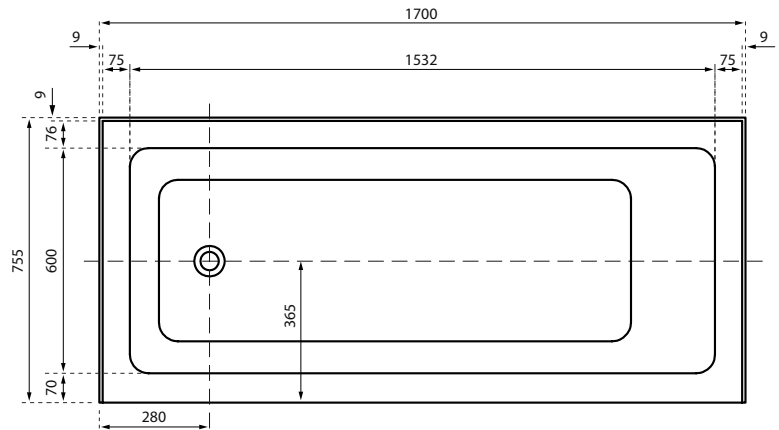
arc | 1700 (left hand waste configuration)

length	1700
width	755
height	445
width centre (non lipped side)	365
length centre	280

*suitable for 40mm waste. No overflow



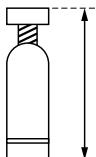
Adjustable height legs
100mm min height
110mm max height



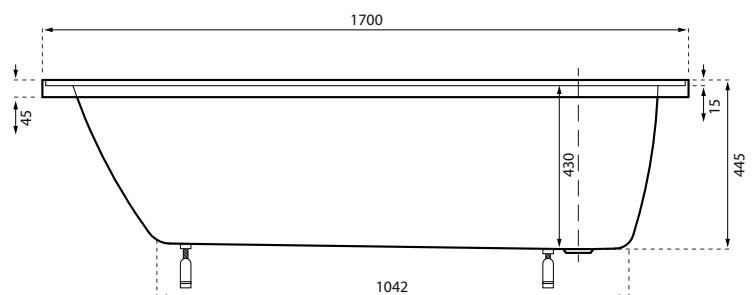
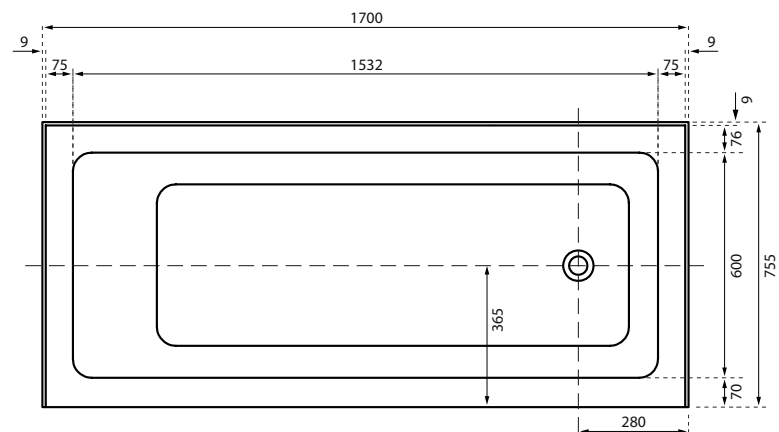
arc | 1700 (right hand waste configuration)

length	1700
width	755
height	445
width centre (non lipped side)	365
length centre	280

*suitable for 40mm waste. No overflow



Adjustable height legs
100mm min height
110mm max height



Note: This brochure is to be used as a guide only. Images are a representation of colour or finish, and may vary from the actual product. All dimensions are in millimetres and are a nominal measurement only. Infinite Supplies Australia Pty Ltd reserves the right to change any or all specifications without prior notice. Dimensions and setouts listed are correct at time of publication, however Infinite Supplies Australia Pty Ltd takes no responsibility for printing errors. For full warranty go to www.firstchoicewarehouse.com.au

Exclusively available through First Choice Warehouse.

