

infinite | tapware



polar+black

innovation and technology

polar+ | basin mixer



polar+ | wall basin/bath mixer



polar+ | wall mixer



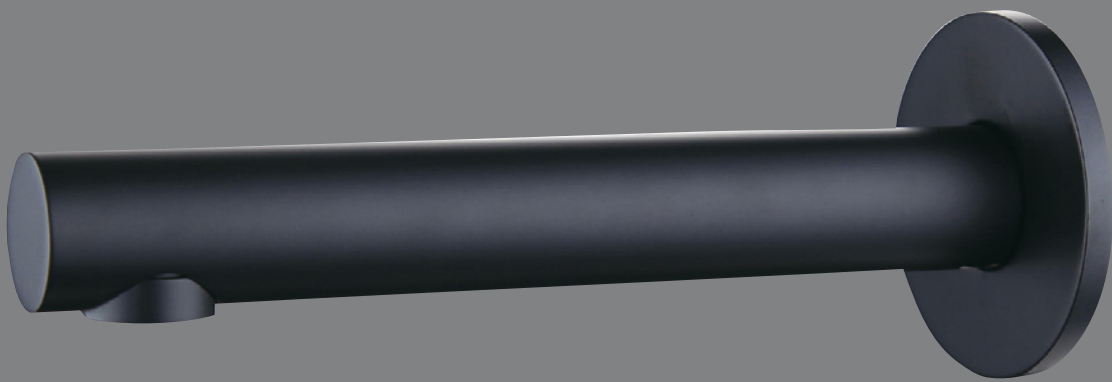
polar+ | wall mixer diverter



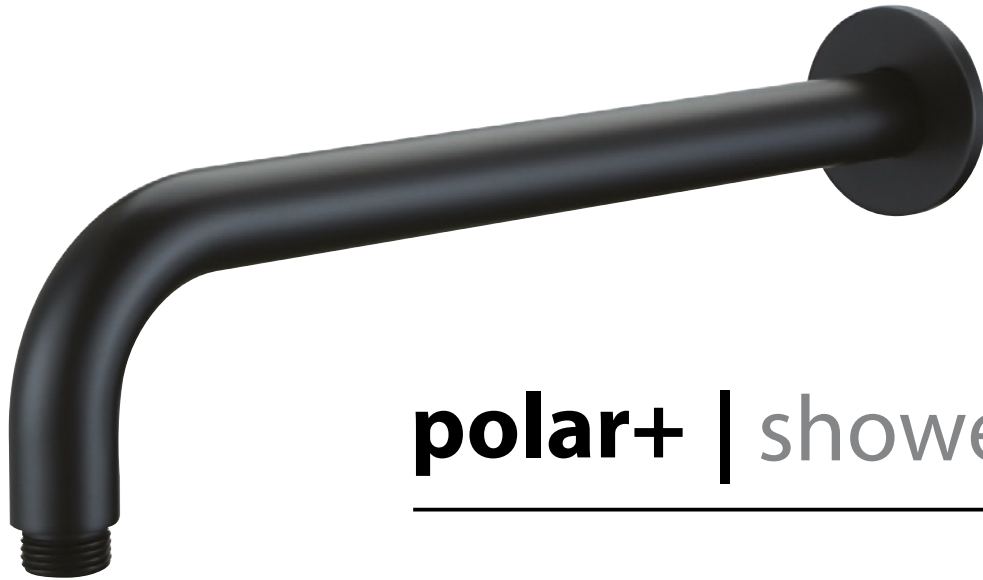
polar+ | tall basin mixer



polar+ | bath/basin spout



polar+ | bath/basin spout



polar+ | shower arm



polar+ | shower rose

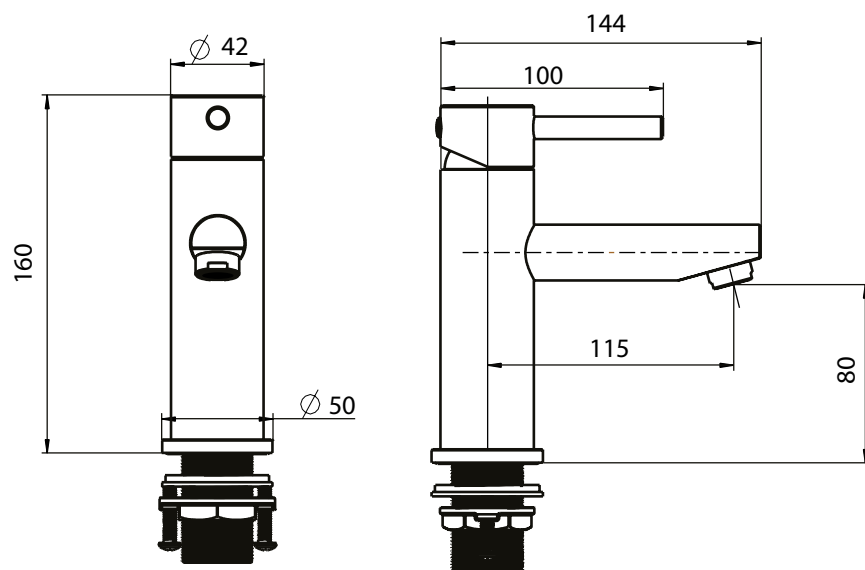
polar+ | kitchen mixer



polar+ | product dimensions

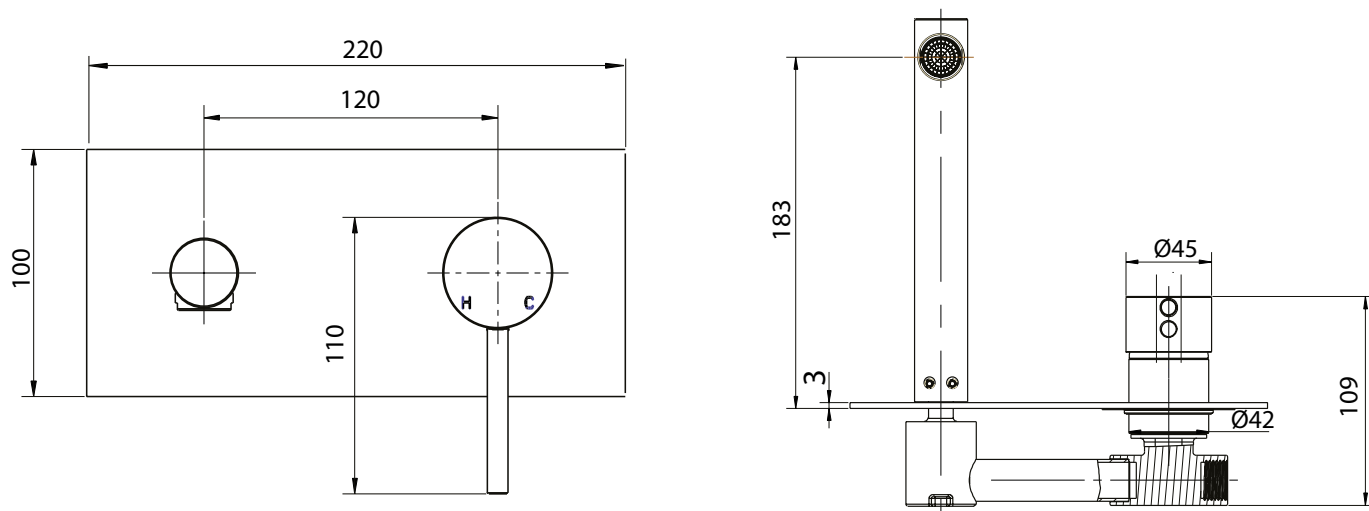
polar+ | basin mixer

WELS 5 Star 5.0L/min



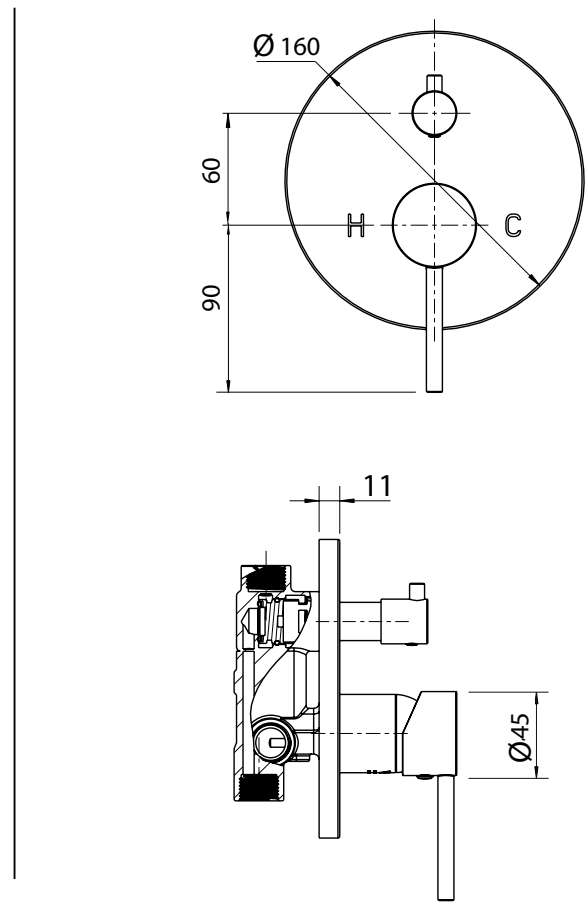
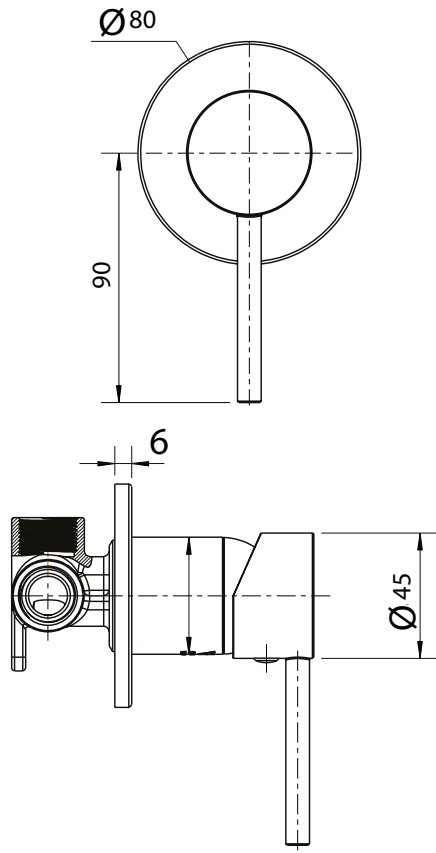
polar+ | wall basin/bath mixer

WELS 4 Star 7.5L/min

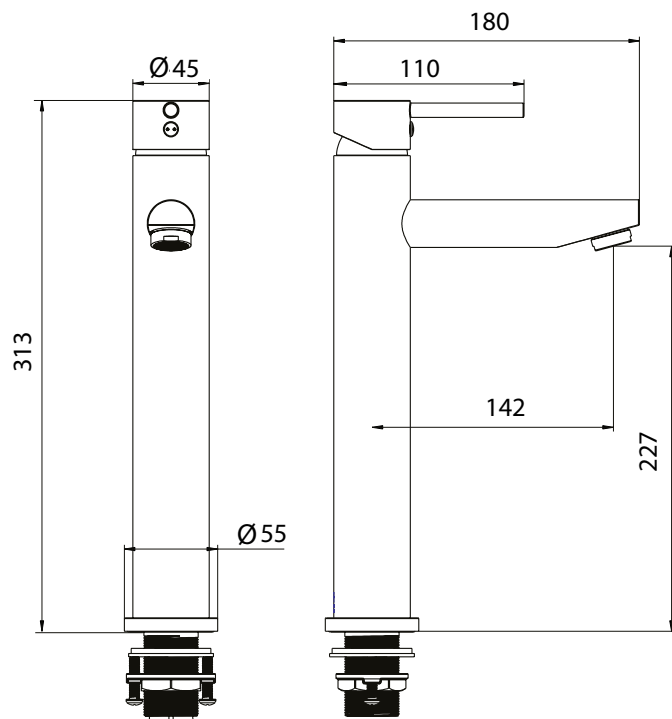


polar+ | wall mixer

polar+ | wall mixer/diverter



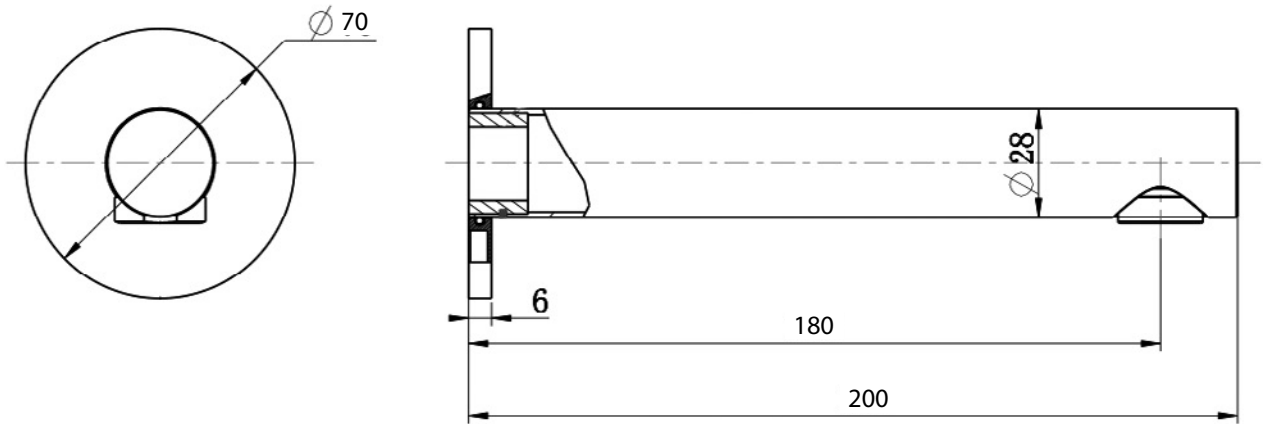
polar+ | tall basin mixer



WELS 5 Star 5.0L/min

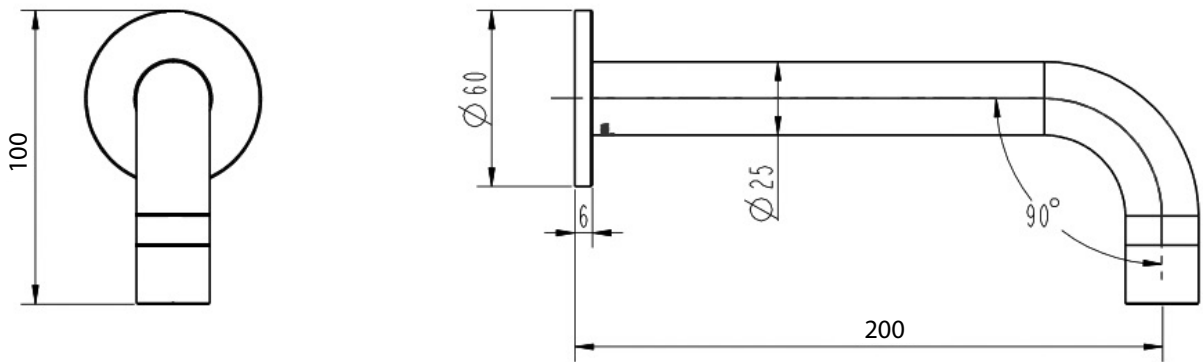
polar+ | basin/bath spout

WELS 5 Star 6.0L/min

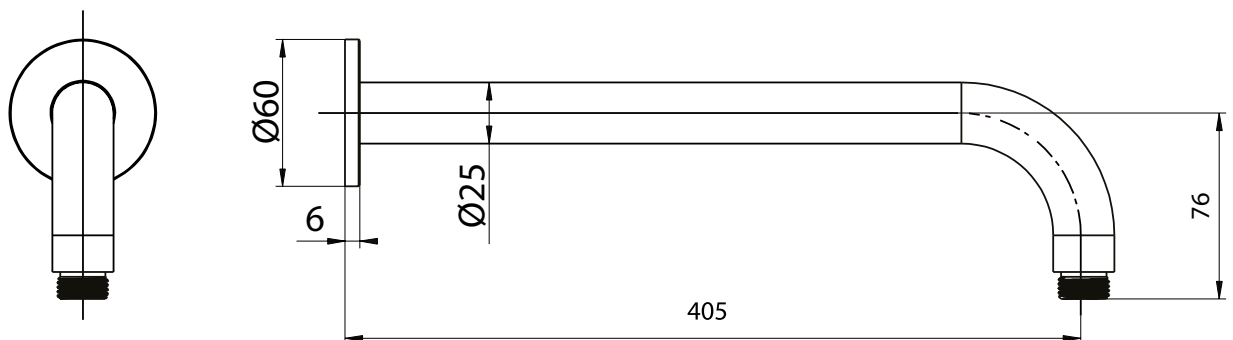


polar+ | curved basin/bath spout

WELS 5 Star 6.0L/min

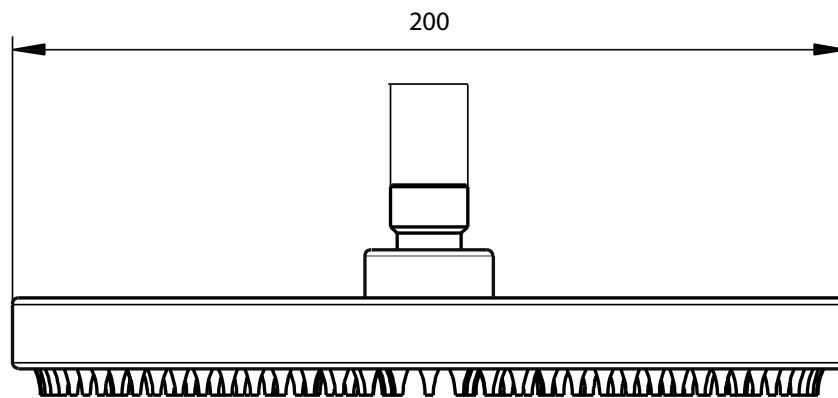


polar+ | shower arm



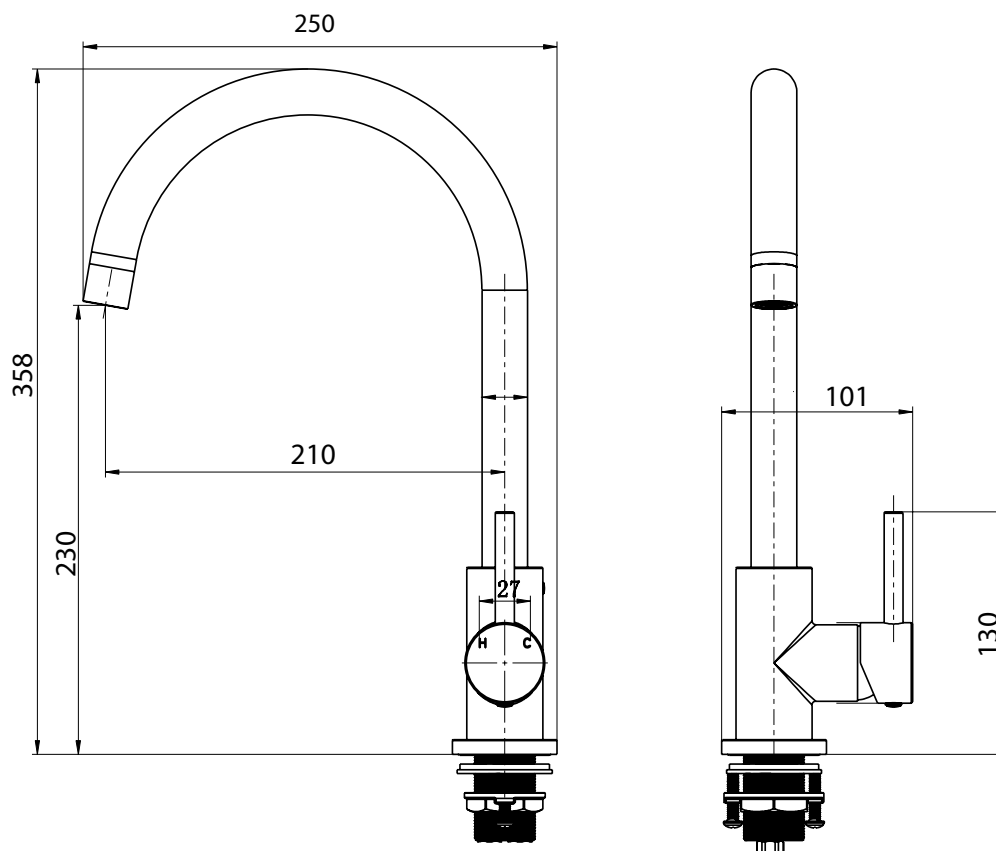
polar+ | shower rose

WELS 3 Star 9.0L/min



polar+ | kitchen mixer

WELS 4 Star 6.5L/min



Note: This brochure is to be used as a guide only. Images are a representation of colour or finish, and may vary from the actual product. All dimensions are in millimetres and are a nominal measurement only. Infinite Supplies Australia Pty Ltd reserves the right to change any or all specifications without prior notice. Dimensions and setouts listed are correct at time of publication, however Infinite Supplies Australia Pty Ltd takes no responsibility for printing errors. For full warranty go to www.firstchoicewarehouse.com.au

Exclusively available through First Choice Warehouse.



21.0

BATHROOM | KITCHEN | LAUNDRY

firstchoicewarehouse.com.au



BLACKBURN 212 Whitehorse Road p (03) 9894 2427 **BRUNSWICK** 331 Victoria Street p (03) 9385 8400 **MOORABBIN** 158 -160 Cochranes Road p (03) 9555 5144